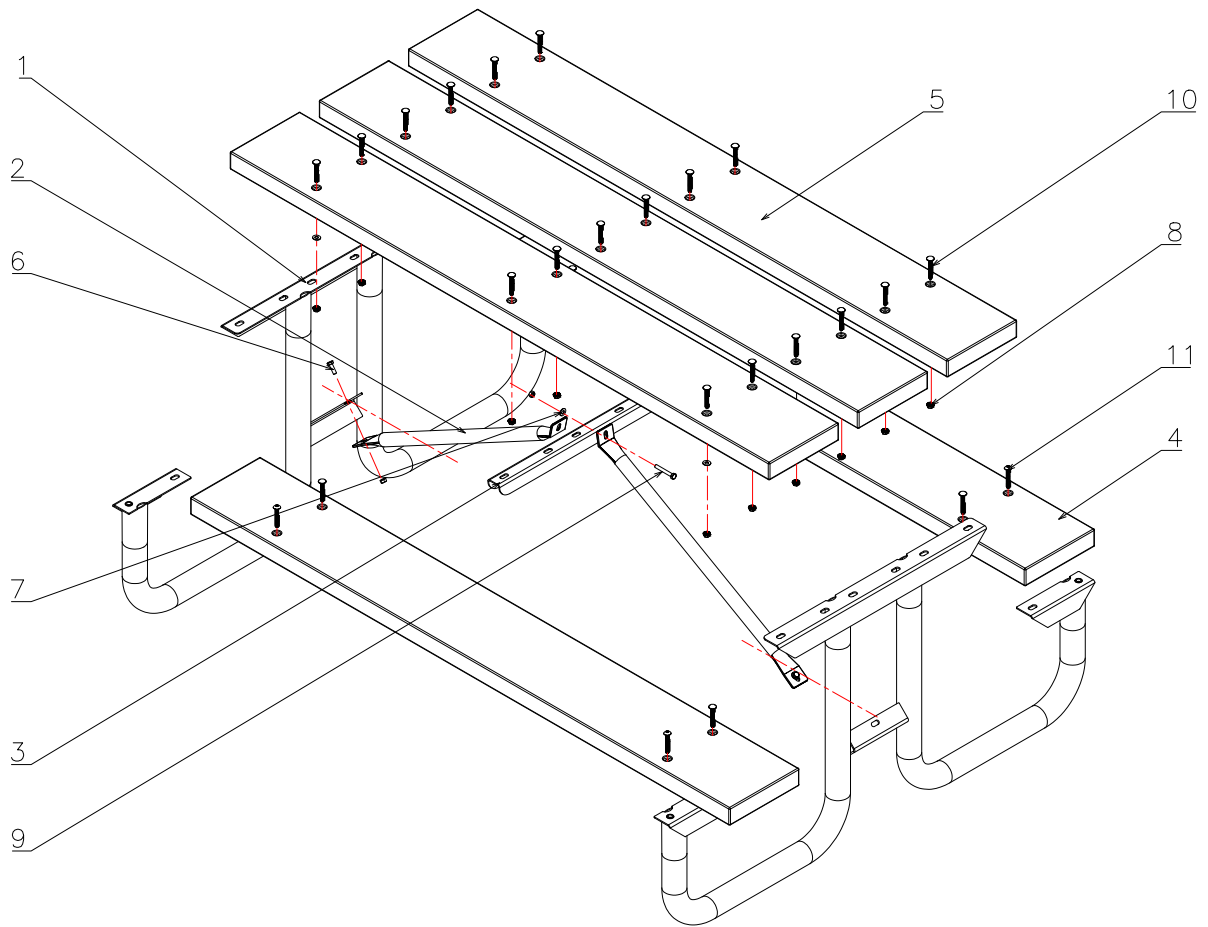
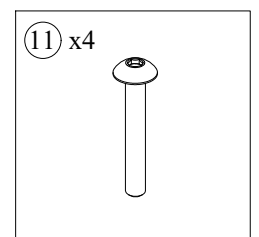
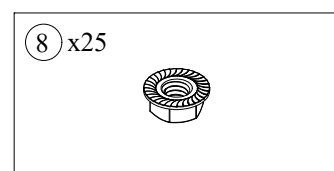
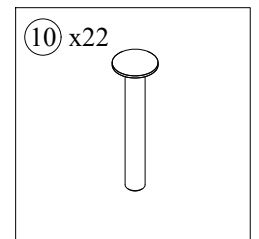
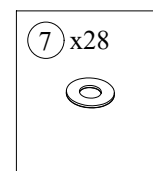
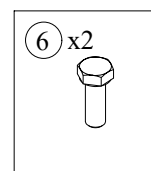
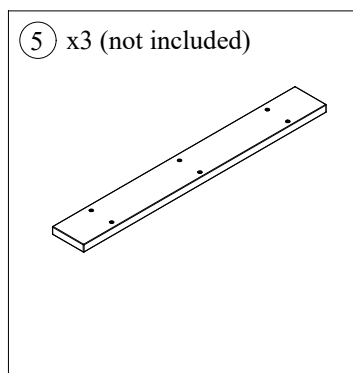
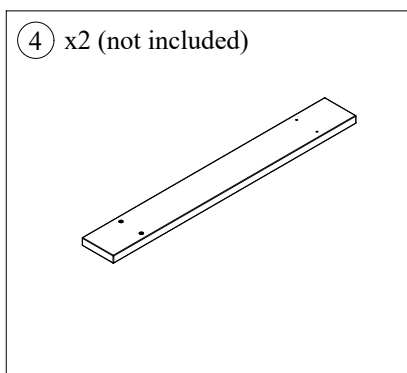
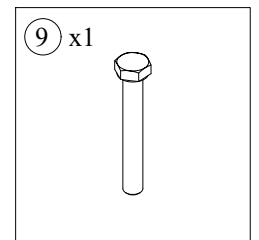
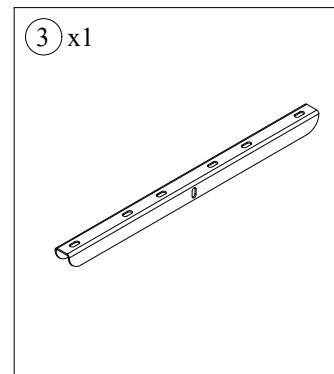
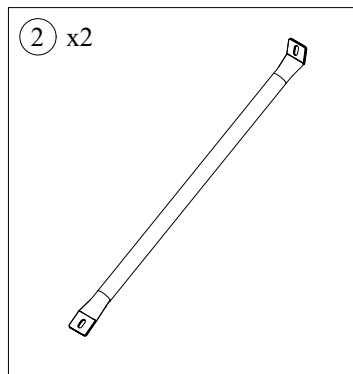
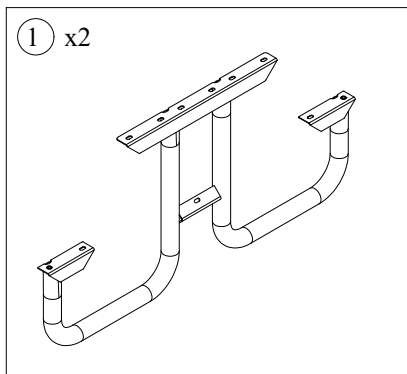


ASSEMBLING INSTRUCTION

1. Scope of view



2. Materials

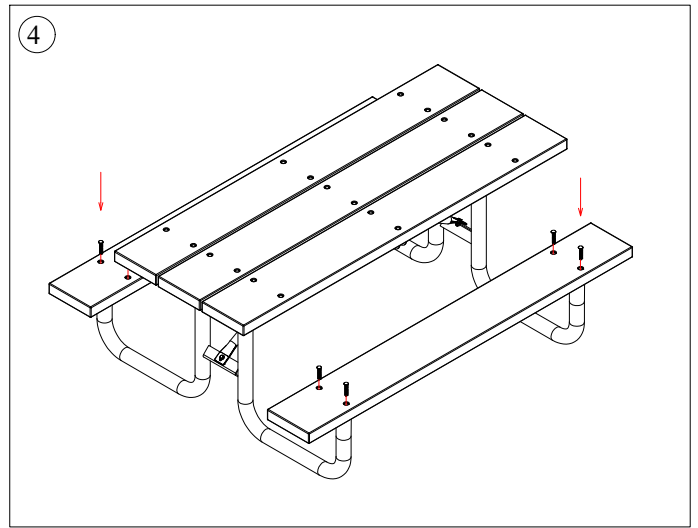
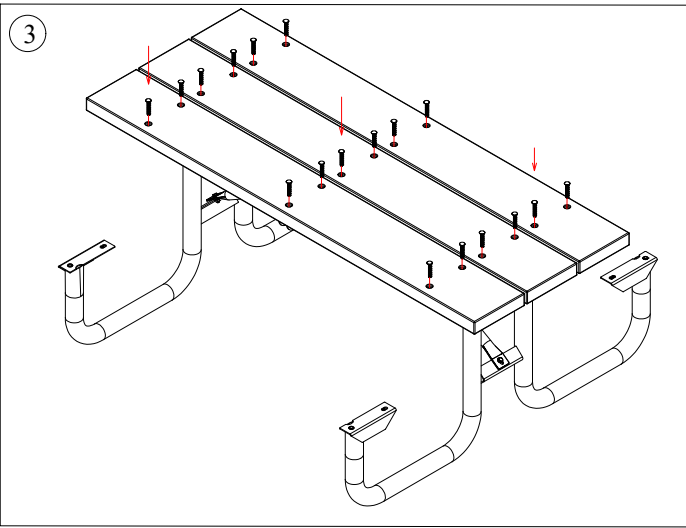
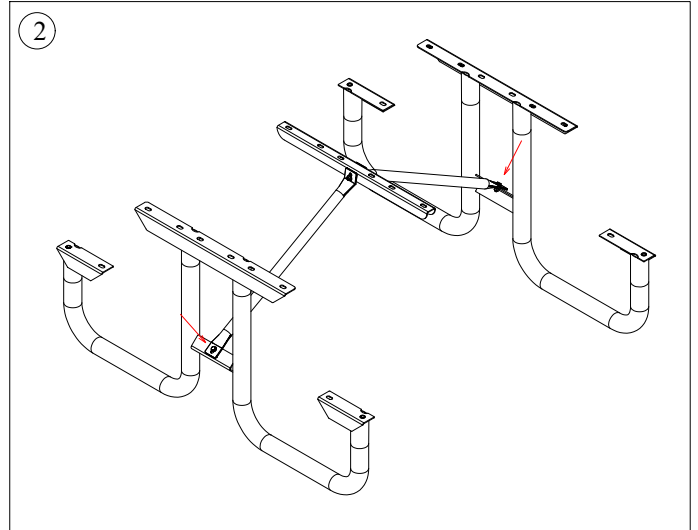
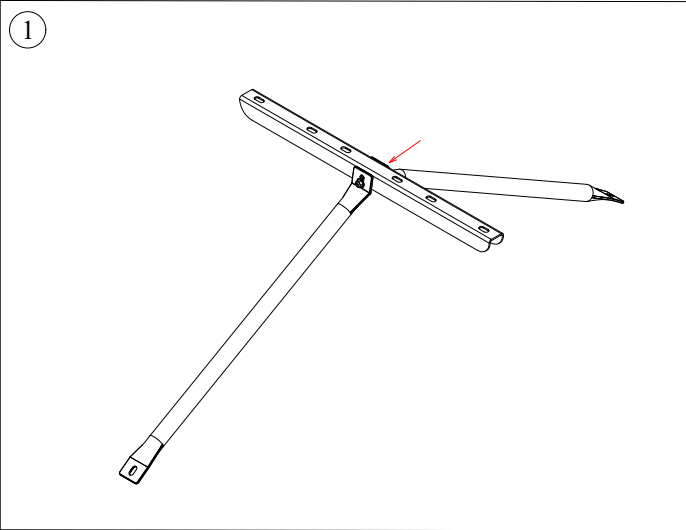


*Tools needed: Wrench and Hex wrench (not included).

--	--	--	--

ASSEMBLING INSTRUCTION

3. Assembles



4. Desk and seat holes (recommend)

