

14

13

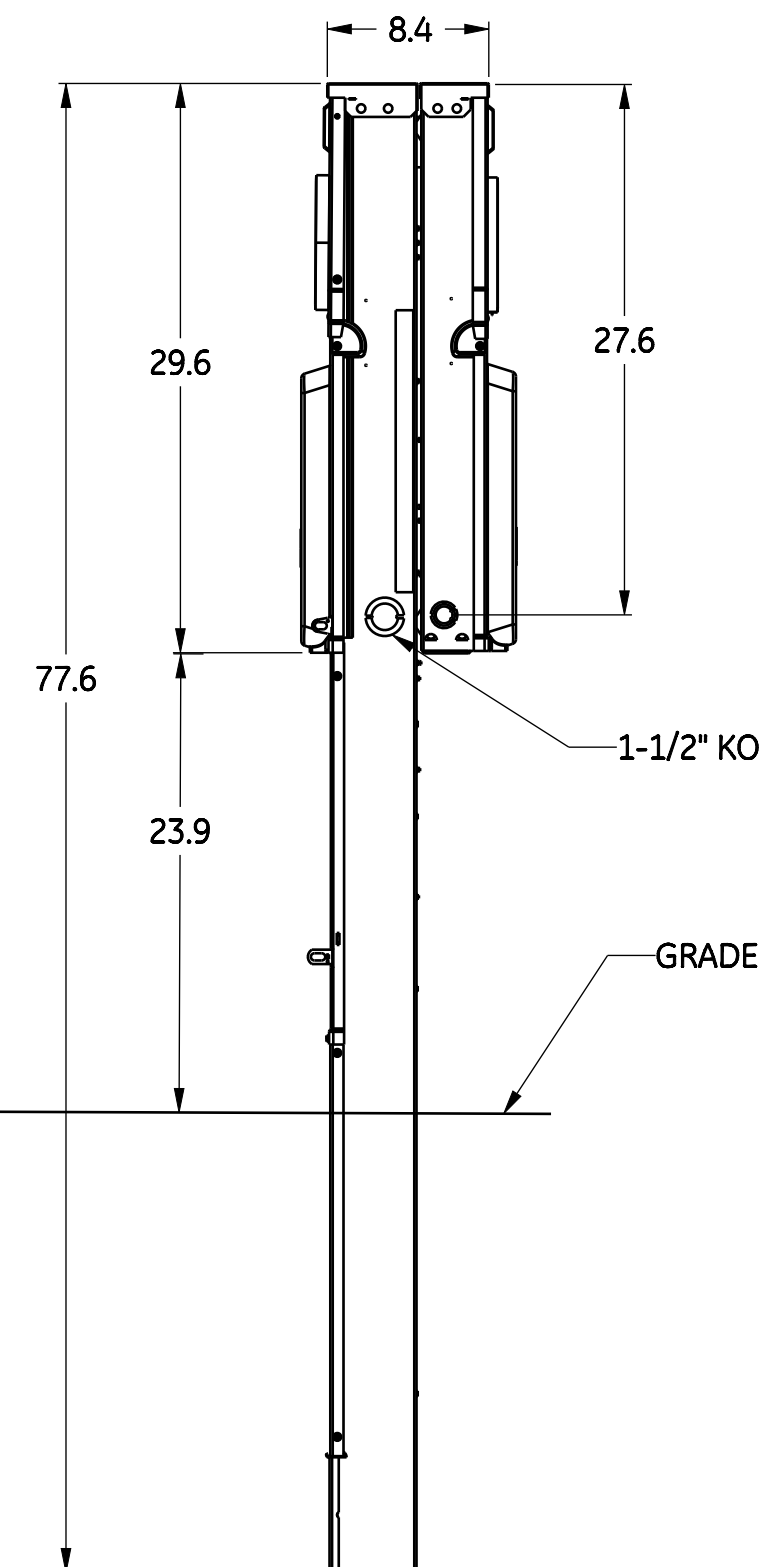
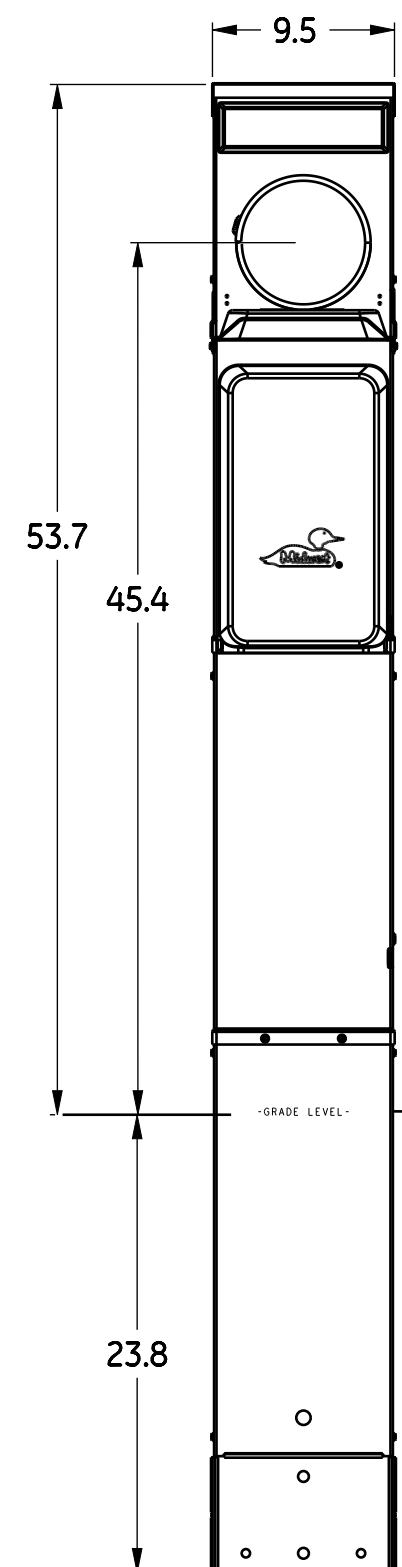
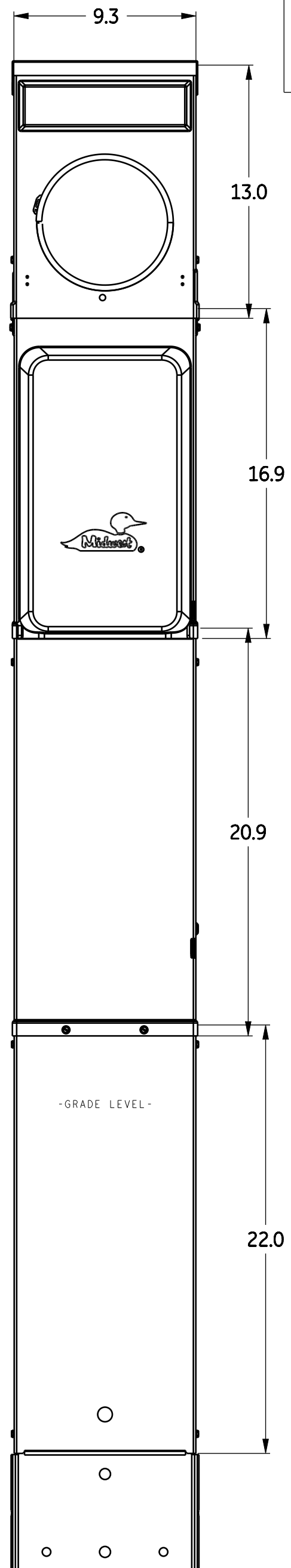
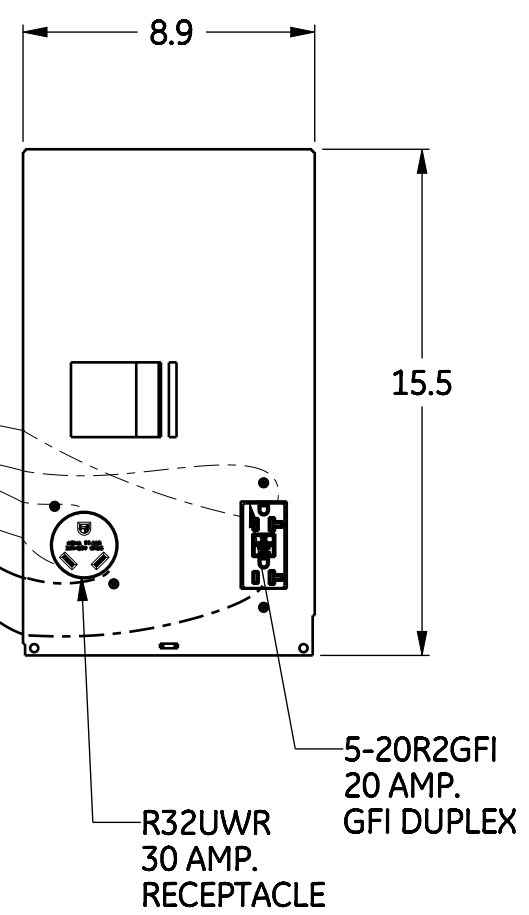
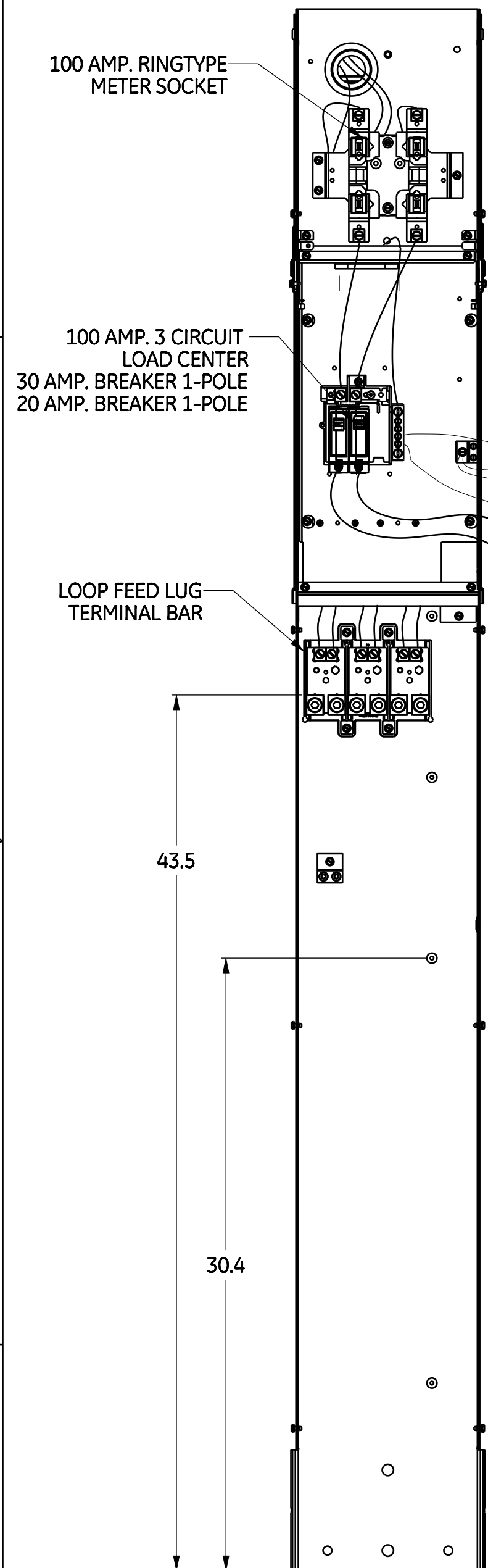
12

SIZE C DRAWING NO. REV SHEET 1

ABB PROPRIETARY AND CONFIDENTIAL INFORMATION

The information contained in the document has to be kept strictly confidential, use, reproduction, distribution or disclosure to third parties is strictly forbidden. Any unauthorized use, reproduction, distribution or disclosure to third parties is strictly forbidden. ABB reserves all rights regarding intellectual Property Rights. Copyright 2018 ABB. All rights reserved.

REVISIONS			
REV.	DESCRIPTION	DATE	APPROVED
A	C131222		
B	ECN000253823		



NOTE: EARTH BURIAL POST

CONNECTOR	COPPER		ALUMINUM	
	SOLID	STRANDED	SOLID	STRANDED
LINE LOAD	14-8	14-2	12-8	12-2
NEUTRAL END HOLE	14-8	14-2	12-8	12-2
NEUTRAL SIDE HOLE	14-8	14-4	12-8	12-4
POST LINE CONNECTORS SUITABLE FOR LOOP FEED	#6-350 KCMIL		#6-350 KCMIL	
EQUIP. GRND. POST	14-2/0	14-2/0	14-2/0	14-2/0

FOR ADDITIONAL INFO REFER TO:	SIGNATURES	DATE
APPLIED PRACTICES	MODEL	
DIMENSIONS ARE IN INCHES	DETAIL	
UNLESS OTHERWISE SPECIFIED IN DRAWING	CHECKED	
	ENGRG	
	MFG	
TOLERANCE ON:	QUALITY	
1 PL DECIMALS ± 0.1	ISSUED	
2 PL DECIMALS ± 0.02		
3 PL DECIMALS ± 0.005		
ANGLES ± 1.0		
FRACTIONS ± FINISH		
CRITICAL TO QUALITY CHARACTERISTIC	DRAWING FILE: M041CB6010M02.OD	
	SOLID MODEL: M132CP6M03	

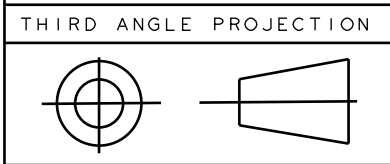
**Midwest Electric Products**

TITLE

**M041CB6010**  
**CUL 9"PST BB 100A VX3 GFI RCPT**

SIZE C DRAWING REV

SCALE: 1:1 SHEET 1 OF 1



Part must conform to SI 900000 Sect. 4, Toxicity Procedure

14

13

12

11