

14

13

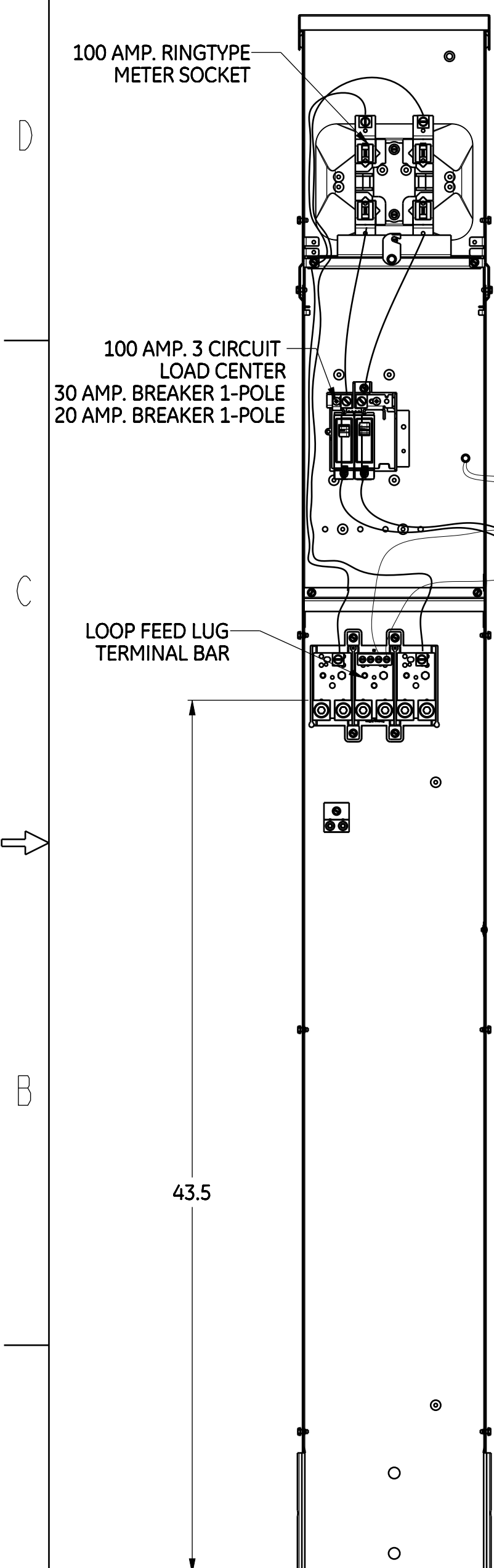
12

SIZE C DRAWING NO. REV 1 SHEET 1

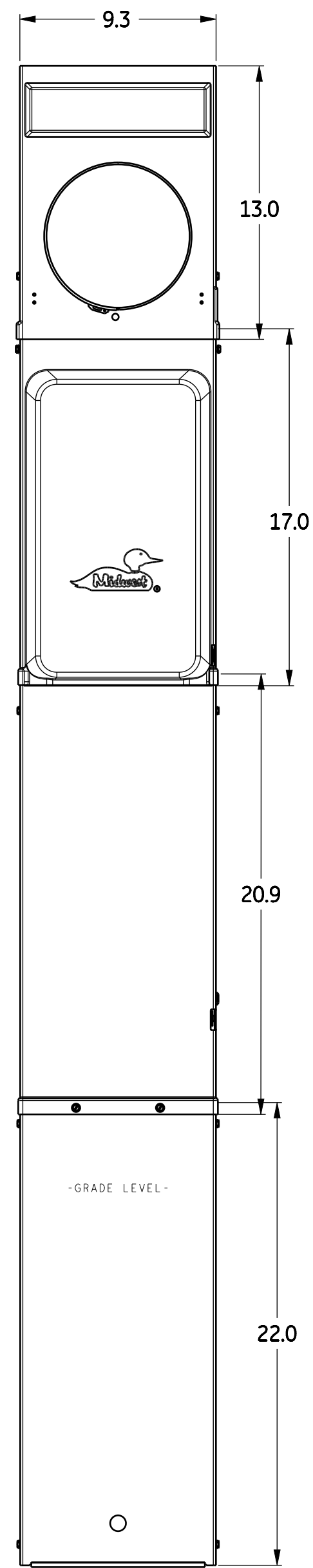
ABB PROPRIETARY AND CONFIDENTIAL INFORMATION

The information contained in the document has to be kept strictly confidential, use, reproduction, distribution or disclosure to third parties is strictly forbidden. Any unauthorized use, reproduction, distribution or disclosure to third parties is strictly forbidden. ABB reserves all rights regarding Intellectual Property Rights. Copyright 2018 ABB. All rights reserved.

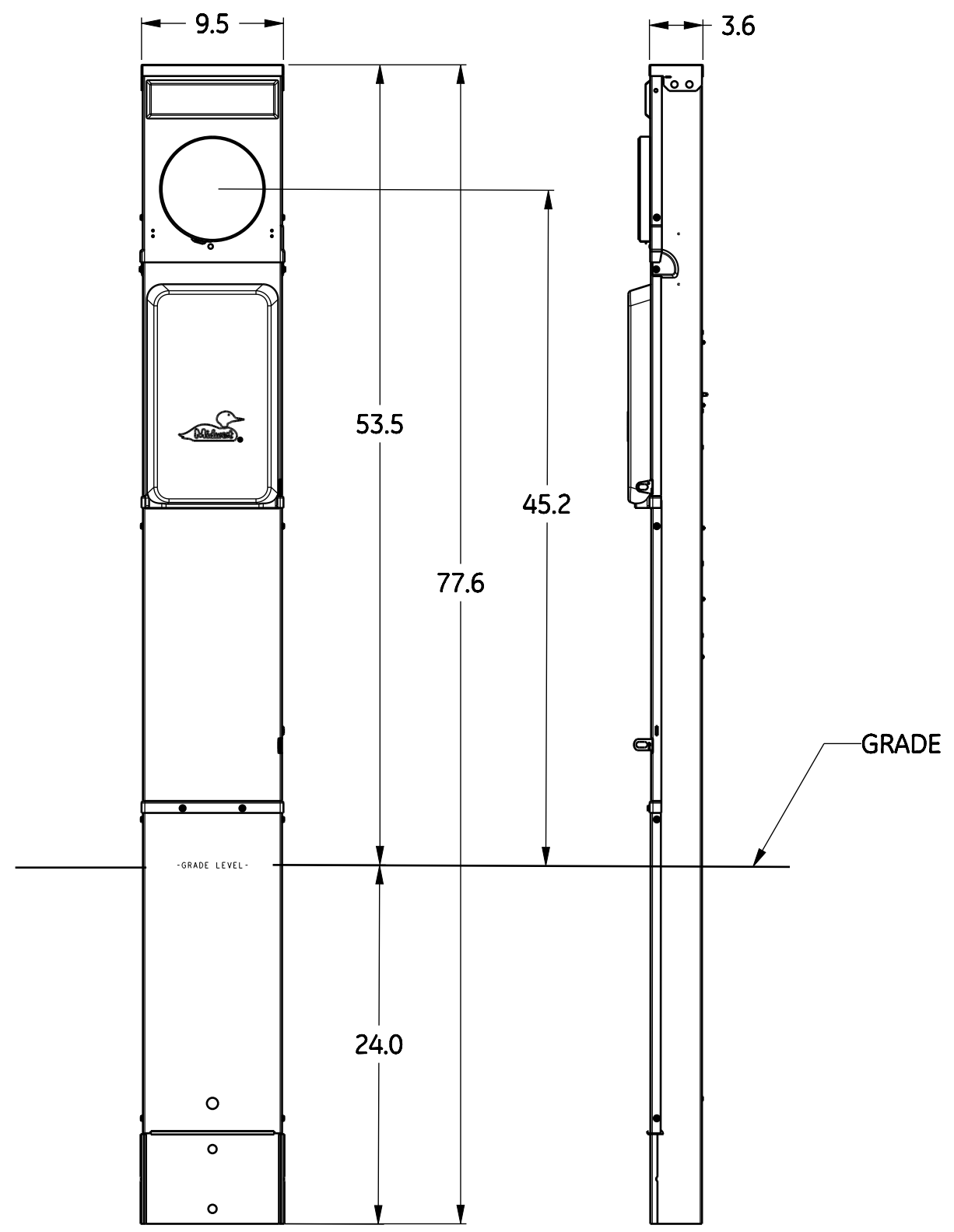
REVISIONS			
REV.	DESCRIPTION	DATE	APPROVED
1	C131222		



FRONT VIEW INTERIOR



FRONT VIEW EXTERNAL

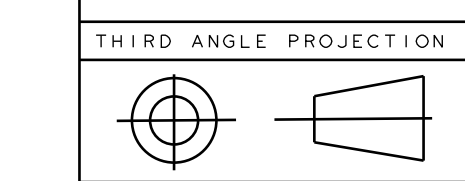


FRONT VIEW EXTERNAL

SIDE VIEW

WIRE RANGE TABLE:

CONNECTOR	COPPER		ALUMINUM	
	SOLID	STRANDED	SOLID	STRANDED
LINE	---	6-1/0	---	6-1/0
LOAD	14-10	14-10	---	---
NEUTRAL	14-4	14-4	14-4	14-4
POST LINE CONNECTORS SUITABLE FOR LOOP FEED	#6-350 KCMIL		#6-350 KCMIL	
EQUIP. GRND. POST	14-2/0	14-2/0	14-2/0	14-2/0



Part must conform to SI 900000 Sect. 4, Toxicity Procedure

FOR ADDITIONAL INFO REFER TO:	SIGNATURES	DATE
APPLIED PRACTICES	MODEL	
DIMENSIONS ARE IN INCHES	DETAIL	
UNLESS OTHERWISE SPECIFIED IN DRAWING	CHECKED	
	ENGRG	
	MFG	
	QUALITY	
TOLERANCE ON:	ISSUED	
1 PL DECIMALS ± 0.1		
2 PL DECIMALS ± 0.02		
3 PL DECIMALS ± 0.005		
ANGLES ± 1.0		
FRACTIONS ± FINISH		
CRITICAL TO QUALITY CHARACTERISTIC	DRAWING FILE: M041CP6010M03_OD	
	SOLID MODEL: M132CP6M03	

Midwest Electric Products

TITLE

M041CP6010
CUL 9" NRW POST 100A,120/240V

SIZE C DRAWING REV 1

SCALE: 1:1 SHEET 1 OF 1

14

13

12

11