

14

13

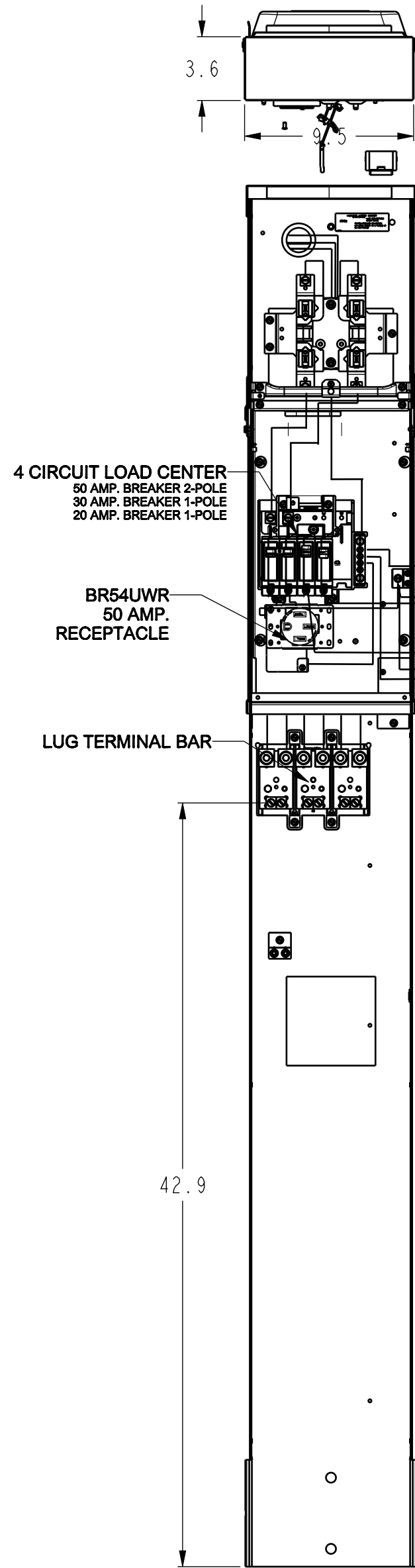
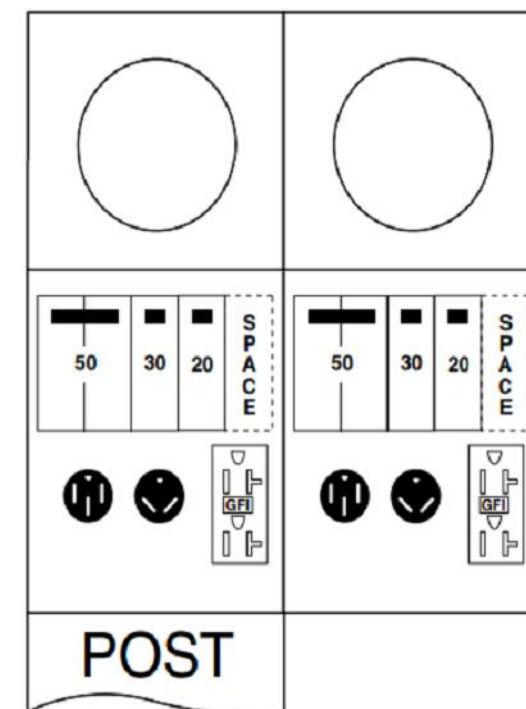
12

ABB PROPRIETARY AND CONFIDENTIAL INFORMATION

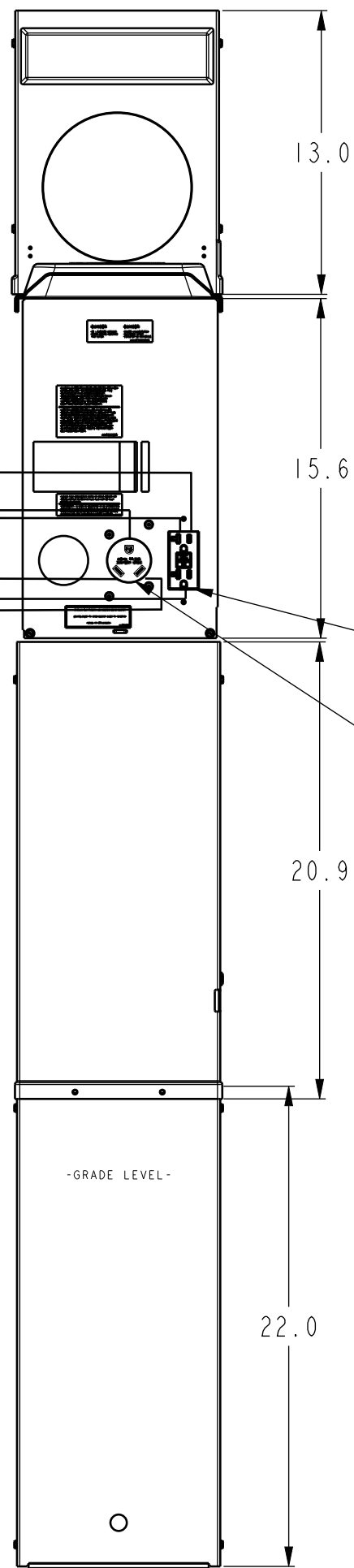
The information contained in the document has to be kept strictly confidential. Any unauthorized use, reproduction, distribution or disclosure to third parties is strictly forbidden. ABB reserves all rights regarding Intellectual Property Rights. Copyright 2019 ABB. All rights reserved.

REV.	DESCRIPTION	DATE	APPROVED
1	ECN000256426	27/05/2022	WILL L

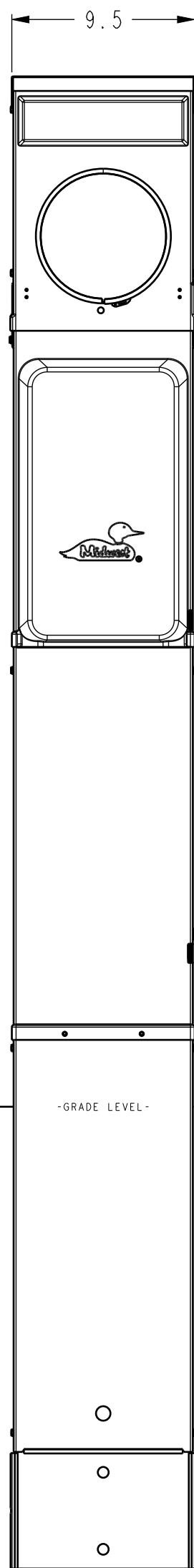
CONFIGURATION M075CB6



FRONT VIEW INSIDE COVER



FRONT VIEW EXTERNAL #1



SIDE VIEW

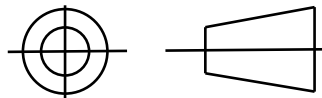
Receptacles	Circuit Protection
BR54UWR	THQL1130
R32UWR	THQL2150
5-20R2	THQL1120

WIRE RANGE TABLE:

CONNECTOR	COPPER		ALUMINUM	
	SOLID	STRAND	SOLID	STRAND
LINE	--	6-1/0	--	6-1/0
LOAD	--	--	--	--
NEUTRAL (LARGE HOLE)	12-8	12-1/0	10-8	10-1/0
NEUTRAL (SMALL HOLE)	14-8	14-4	12-8	12-4
POST LINE CONNECTORS	#6-350 KCMIL		#6-350 KCMIL	
EQUIP. GRND POST	14-2/0	14-2/0	14-2/0	14-2/0

NOTE: EARTH BURIAL POST

THIRD ANGLE PROJECTION



Part must conform to SI 900000 Sect. 4, Toxicity Procedure

FOR ADDITIONAL INFO REFER TO:

APPLIED PRACTICES
 DIMENSIONS ARE IN INCHES
UNLESS OTHERWISE SPECIFIED IN DRAWING
 TOLERANCE ON:
 1 PL DECIMALS ± 0.1
 2 PL DECIMALS ± 0.02
 3 PL DECIMALS ± 0.005
 ANGLES ± 1.0
 FRACTIONS ± FINISH

SIGNATURES	DATE
MODEL	
DETAIL	
CHECKED	
ENGRG	
MFG	
QUALITY	
ISSUED	
DRAWING FILE: M075CB6010M02.OD	
SOLID MODEL: M075CB6010M02	

Midwest Electric Products

TITLE
 MIDWEST POWER OUTLET RINGLESS MTR BACK-TO-BACK
 EARTH BURIAL POST 80A 50/30A REC 120/240V 1PH UL
 LISTED G90 N3R

SIZE	DRAWING	REV
C	M075CB6010	1