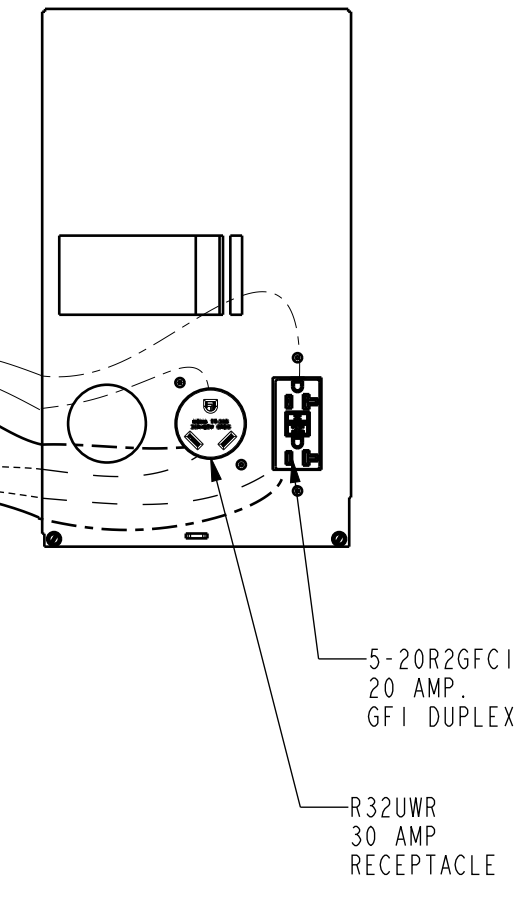
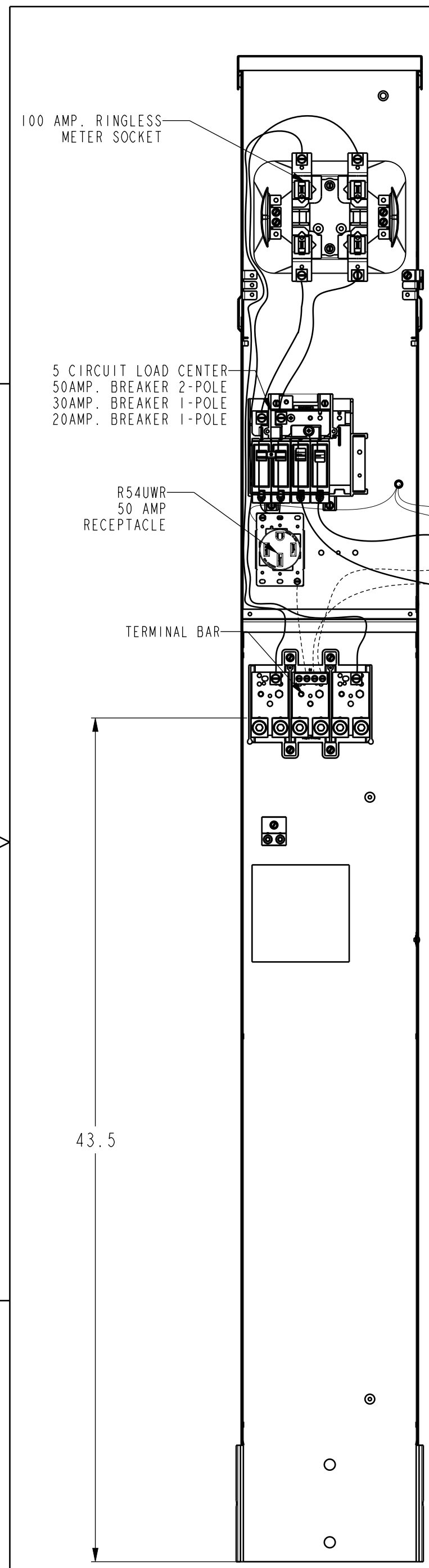


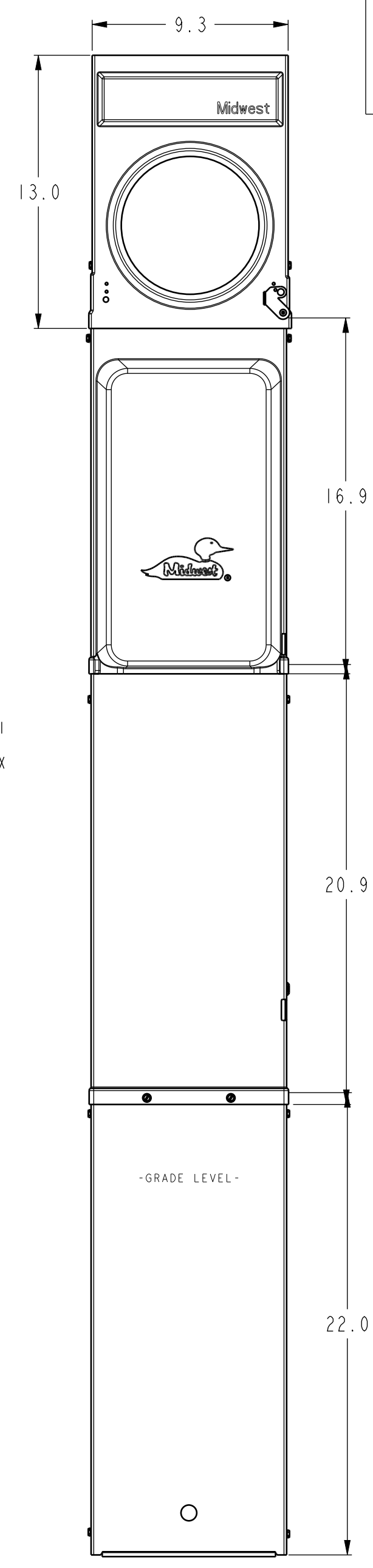
**ABB PROPRIETARY AND CONFIDENTIAL INFORMATION**  
 The information contained in the document has to be kept strictly confidential, use, reproduction, distribution or disclosure to third parties is strictly forbidden. Any unauthorized use, reproduction, distribution or disclosure to third parties is strictly forbidden. ABB reserves all rights regarding Intellectual Property Rights. Copyright 2018 ABB. All rights reserved.

REVISIONS			
REV.	DESCRIPTION	DATE	APPROVED
A	ECN000256426	12/22/2022	WILL L
B	CR0000142308	AIE 08/22/2023	



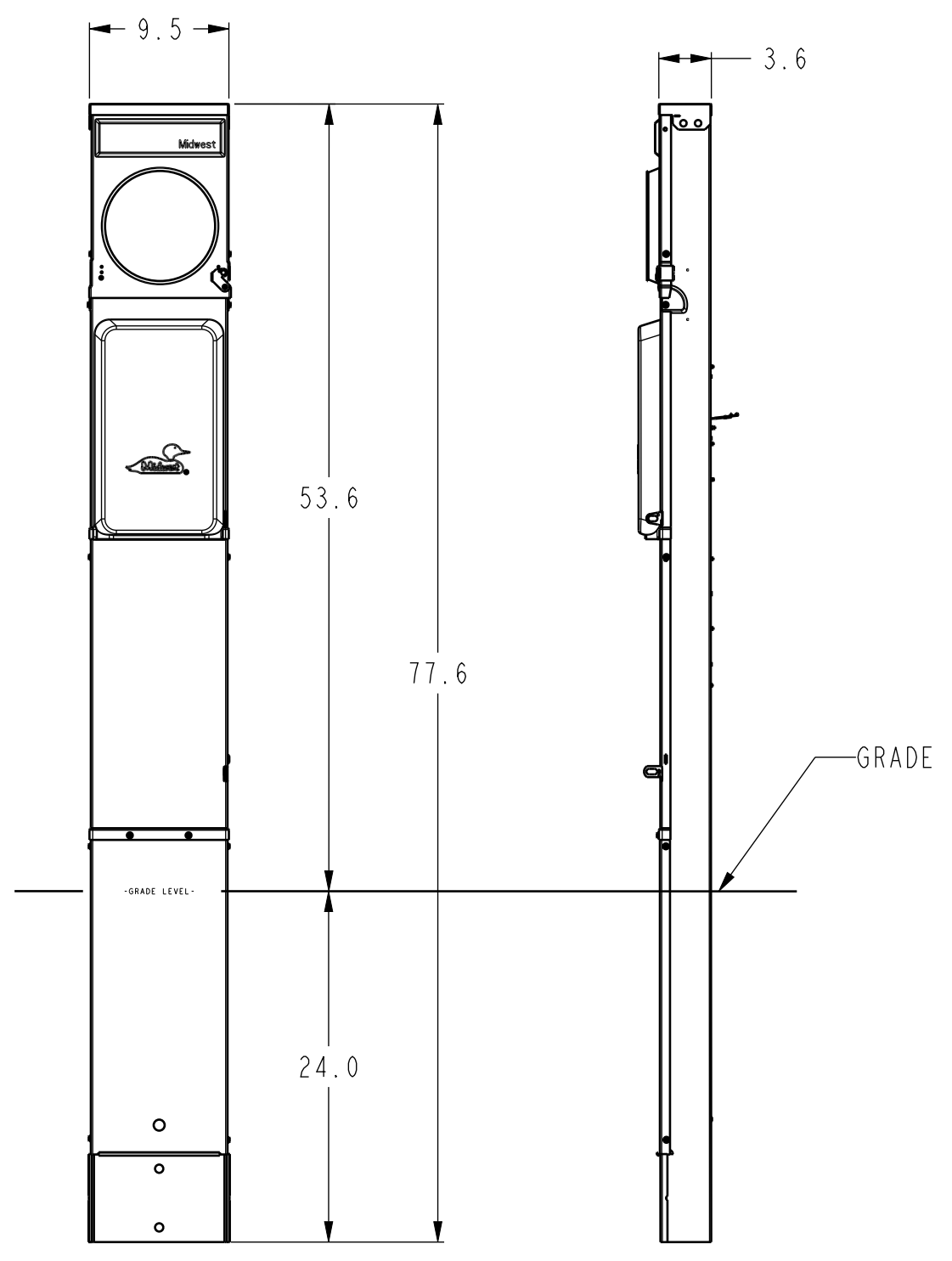
RECEPTACLES
R54UWR
R32UWR
5-20R2GFCI

CIRCUIT PROTECTION
THQL2150BP
THQL1130BP
THQL1120BP



FRONT VIEW EXTERNAL

Part must conform to SI 900000 Sect. 4, Toxicity Procedure



FRONT VIEW EXTERNAL

SIDE VIEW

WIRE RANGE TABLE:				
CONNECTOR	COPPER		ALUMINUM	
	SOLID	STRANDED	SOLID	STRANDED
LINE	---	6-1/0	---	6-1/0
LOAD	14-10	14-10	---	---
NEUTRAL	14-4	14-4	14-4	14-4
POST LINE CONNECTORS SUITABLE FOR LOOP FEED	#6-350 KCMIL		#6-350 KCMIL	
EQUIP. GRND. POST	14-2/0	14-2/0	14-2/0	14-2/0

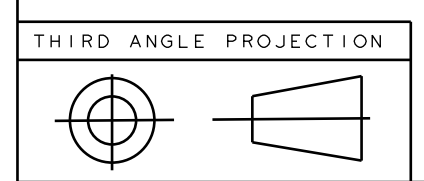
FOR ADDITIONAL INFO REFER TO:	SIGNATURES	DATE
APPLIED PRACTICES	MODEL	
DIMENSIONS ARE IN INCHES	DETAIL	
<b>UNLESS OTHERWISE SPECIFIED IN DRAWING</b>	CHECKED	
	ENGRG	
	MFG	
	QUALITY	
	ISSUED	
TOLERANCE ON: 1 PL DECIMALS ± 0.1 2 PL DECIMALS ± 0.02 3 PL DECIMALS ± 0.005 ANGLES ± 1.0 FRACTIONS ± FINISH		
CRITICAL TO QUALITY CHARACTERISTIC	DRIVING FILE: R075CP6010M03.OD	
	SOLID MODEL: R075CP6010M03	

**Midwest Electric Products**

TITLE: CUL 9" NARROW POST, 100A

SIZE C DRAWING R075CP6010 REV D

SCALE: 7:100 SHEET 1 OF 1



FRONT VIEW INTERIOR