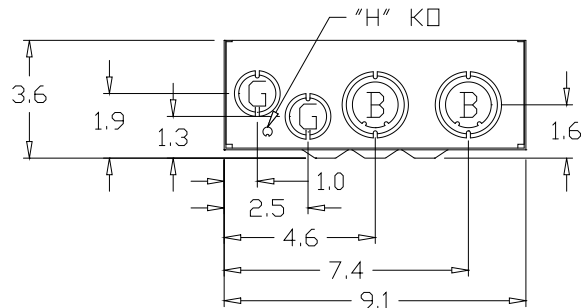
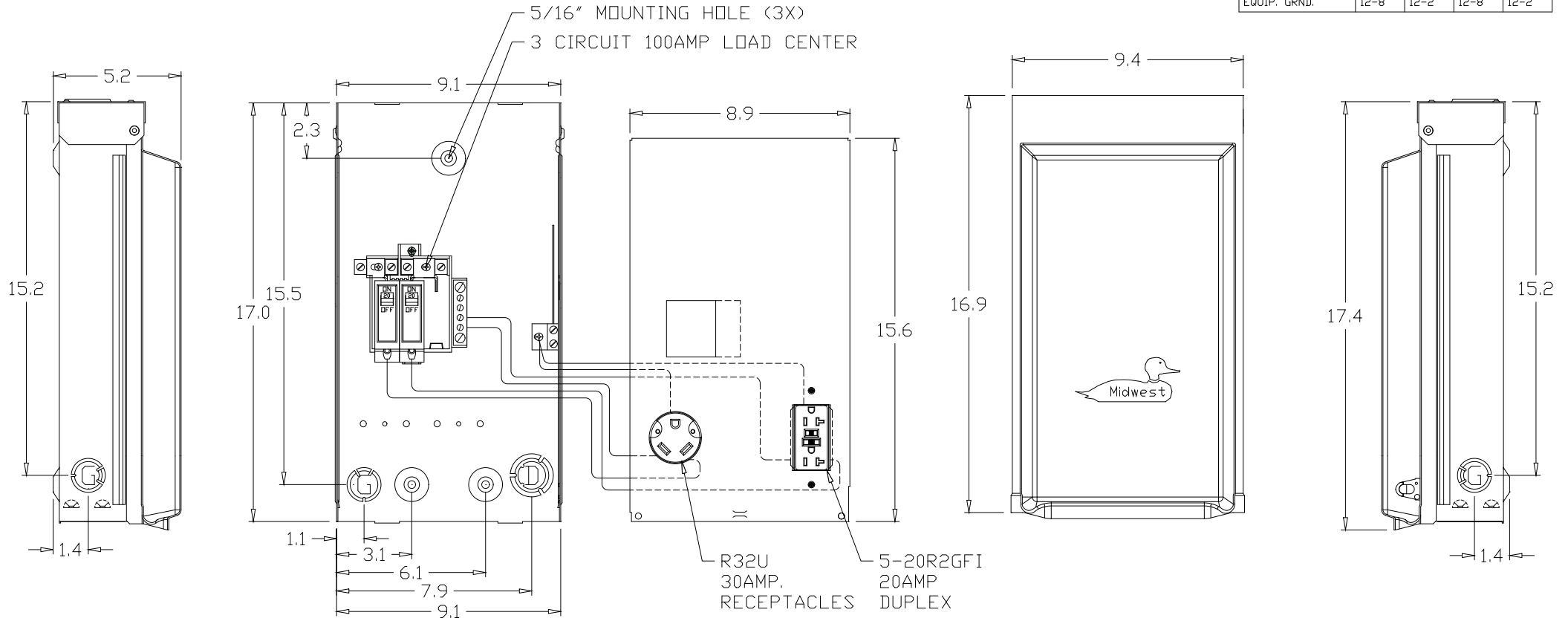


KNOCKOUT TABLE:

H = 9/32" KO
 G = 1/2", 3/4", 1" KO
 B = 1", 1-1/4", 1-1/2" KO
 D = 3/4", 1", 1-1/4" KO

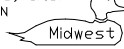
WIRE RANGE TABLE :

CONNECTOR	COPPER		ALUMINUM		
	SOLID	STRAND	SOLID	STRAND	
LINE	14-8	14-1/0	12-8	12-1/0	
LOAD	14-10	14-10	---	---	
NEUTRAL	END HOLE	14-8	14-2	12-8	12-2
NEUTRAL	SIDE HOLE	14-8	14-4	12-8	12-4
EQUIP. GRND.		12-8	12-2	12-8	12-2



NOTES:
 LUG TYPE IS LOOP FEED

SH6

MIDWEST ELECTRIC PRODUCTS, INC. Mankato, MN 	* = Critical To Quality		TITLE: U041CTL010	
	Unless Otherwise Specified		AutoCad Generated	
Dr. By: JDE	Tolerances On: 3 Pl. Decimals ± .010 2 Pl. Decimals ± .030 Fractions ± 1/32	SCALE: 1:1	SIZE: A	DWG NO: 265A6223
Ck. By:	Angles ± 1/2° Holes ± .003	SHEET 1 OF 1		
CR: R0746956	Dimensions Are In Inches			

Rev.1 CR R0746956 JDE 1-14-08