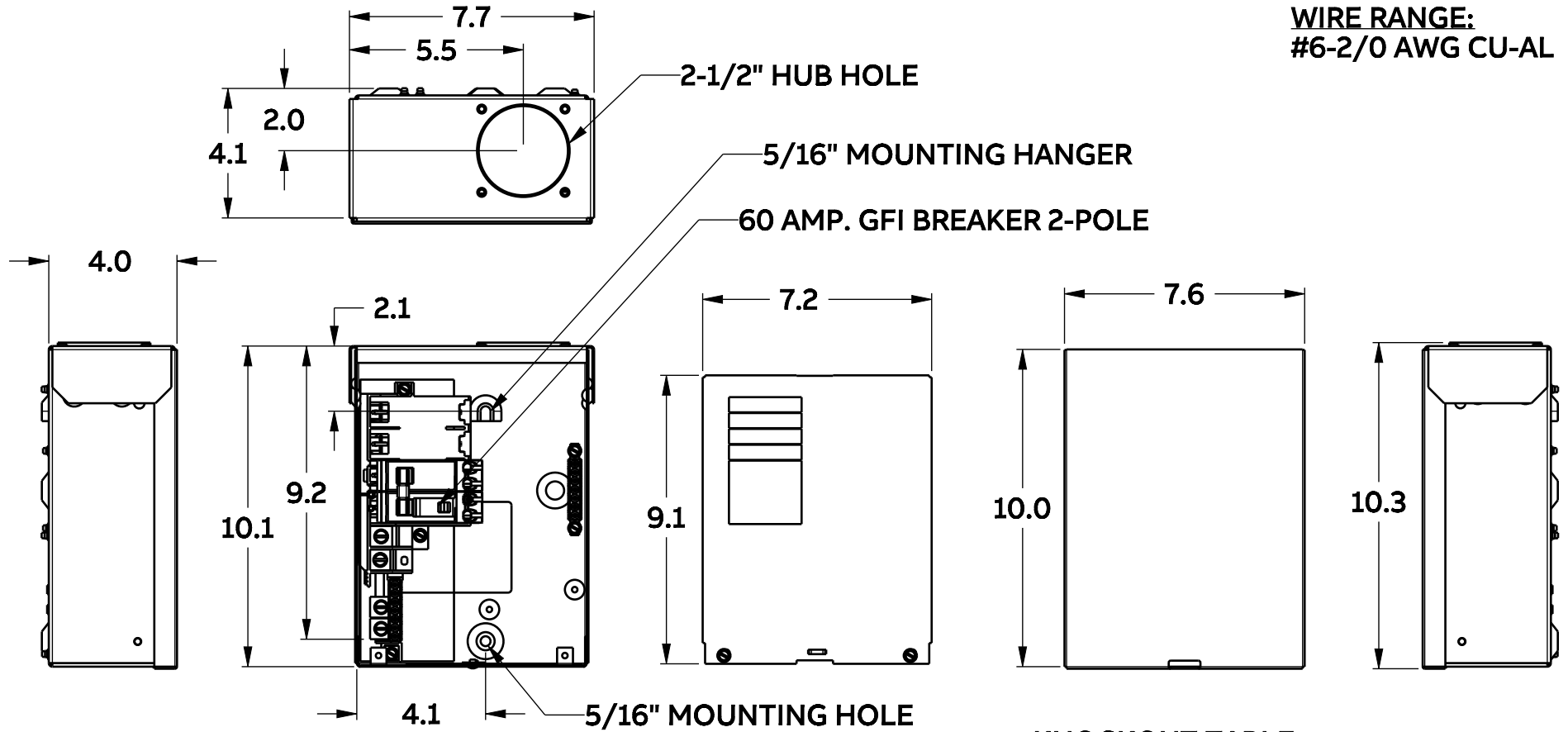
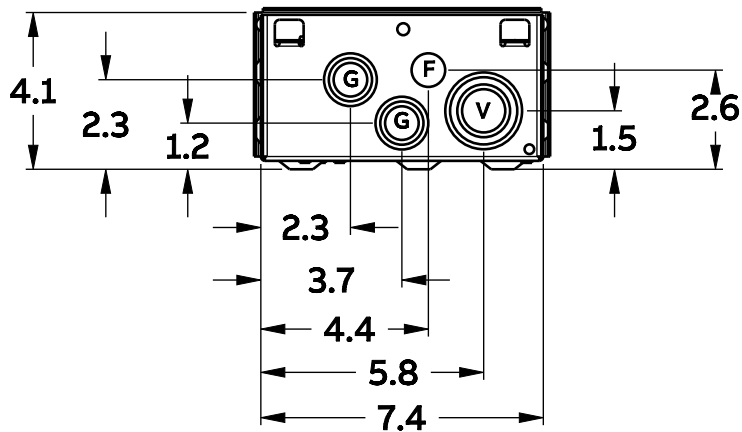


**WIRE RANGE:
#6-2/0 AWG CU-AL**



KNOCKOUT TABLE:

F= 1/2" KO
G= 1/2", 3/4", 1" KO
V= 3/4", 1", 1-1/4", 1-1/2" KO



Midwest Electric Products 

TITLE **UG412RMW260
OUTLINE DRAWING**

SIZE A	MODEL UG412RMW260M01	REV U
SCALE: 1:10	UG412RMW260M01_OD	SHEET 1 of 1